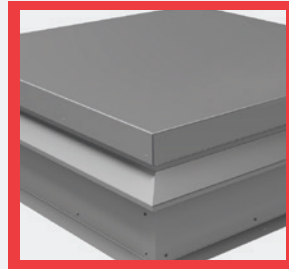
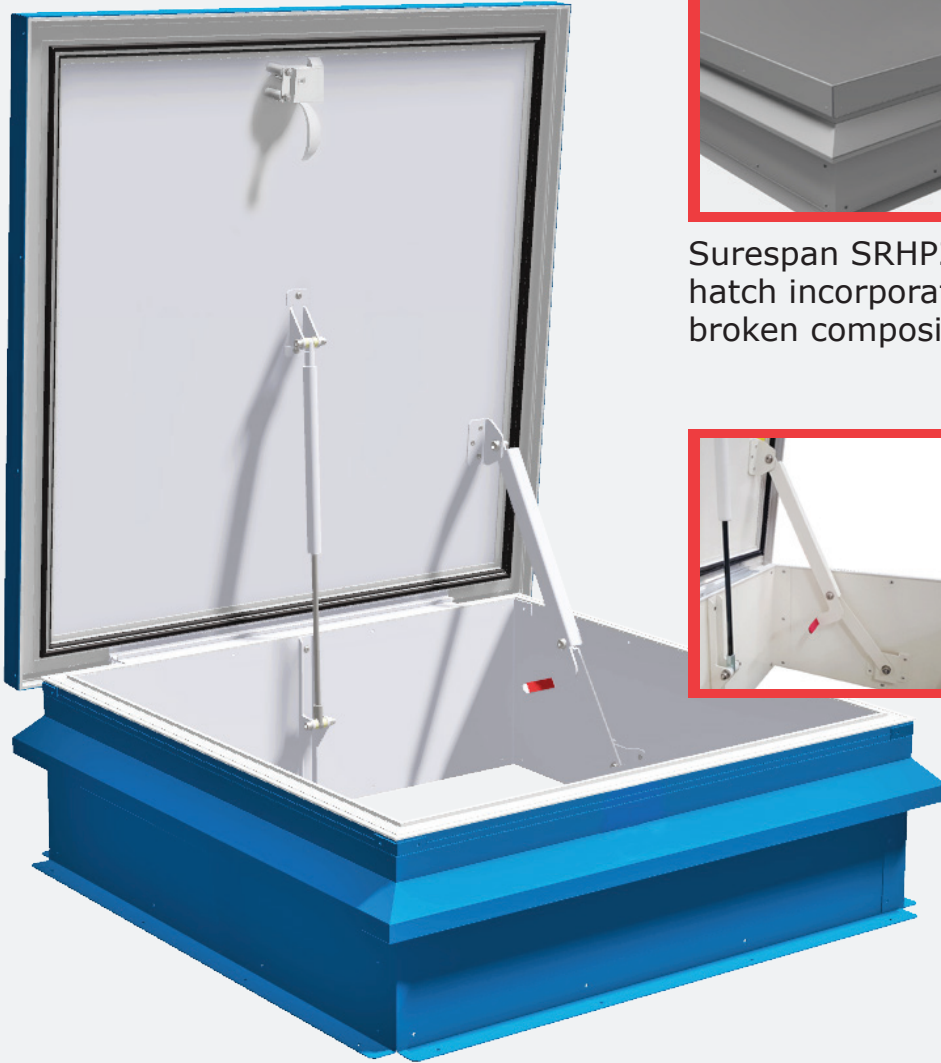


Roof Hatch SRHP25

Thermal Break Roof Hatch

Unprecedented 25mm wide thermal break lid and upstand



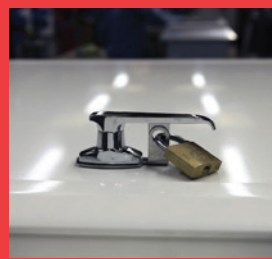
Surespan SRHP25 Aluminium access hatch incorporating a full 25mm thermally broken composite lid and upstand.



Secure Stay Hold Open Arm with smooth manual closing using grip handle.



Double Unbroken welded Seals



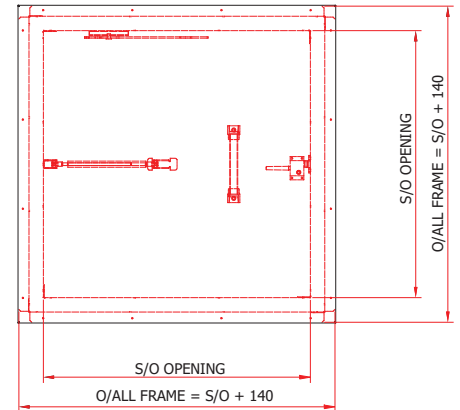
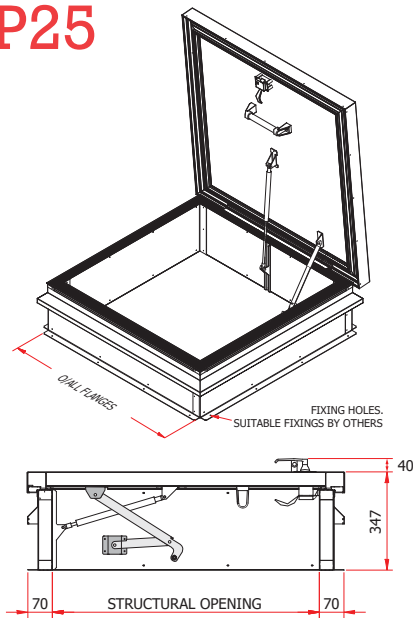
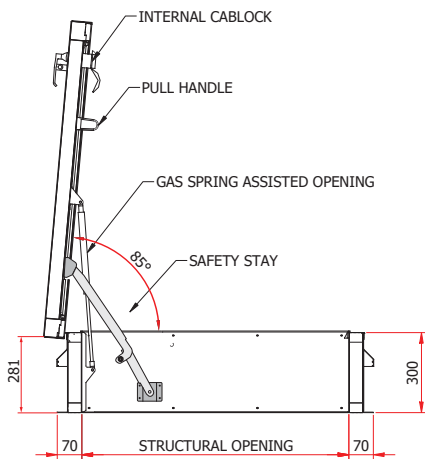
Insulation Options

25mm 0.78 W/m²K Polyisocyanurate Insulation

25mm 1.13 W/m²K Non-combustible Mineral Wool

Roof Hatch SRHP25

Details & Overview



GUIDE SPECIFICATION

- **Material:** Cover and frame 2mm aluminium with a full 25mm thermally broken composite lid and upstand.
- **Cover:** 25mm (1") fully insulated kerb and lid, corner welded and reinforced.
- **Curb:** 300mm (12") in height with external curb liner, 25mm thermal break and 25mm polyisocyanurate insulation to 0.78 W/m²K. Alternative 25 mm **mineral wool insulation** at no extra cost (1.13 W/m²K).
- **Seal:** Double unbroken bubble & blade seal to lid
- **Operation:** Gas spring assisted manual opening, secure Stay Hold open arm with smooth manual closing using grip handle to prevent against accidental closure when engaged.
- **Hinges:** Heavy duty continuous hidden hinge
- **Locking:** Internal Slam Action Cablock and External Handle
- **Finish:** Mill finish aluminium, single or two colour powder coating optional.

STANDARD SIZES

Size	Weight
600 x 600	28Kg
750 x 750	34Kg
750 x 900	38Kg
900 x 900	42Kg
1000 x 1000	47Kg
1350 x 750	49Kg

GUIDE TO REGULATIONS

BS EN 12207:2000	Air Permeability
BS EN 12208:2000	Water Tightness
BS EN 12210:2000	Wind Resistance
BS EN 1991-1	Snow Load
BS 8200	Impact Resistance
BS EN ISO 140	Acoustic Rated
BS EN 1627-1630	Security Features
BS EN ISO 6946	U-value achieved: 0.78 W/m ² K

Roof Hatch SRHP25

Details & Overview

Roof Access Hatch for SRHP25 from Surespan Ltd

Offering a full 25mm thermally broken composite lid and upstand. With 25mm insulation. Secure Hold arm with smooth manual closing using grip handle to prevent against accidental closure. Comes as standard with a curb liner, 300mm upstand, internal slam action cablock and external handle.

Manufacturer: Surespan Ltd. Leamore Close, Walsall, WS2 7NL.

Web: www.surespancovers.com. Tel: +44 (0)1922 711185. Product reference: SRHP25

Sizes

[600 x 600 mm].
[750 x 750 mm].
[750 x 900 mm].
[900 x 900 mm].
[1000 x 1000 mm].
[1350 x 750 mm].

Material:

[Aluminium]. - Mill finish as standard.

Upstand:

[300 mm with a 25mm thermal break and insulated]. - Standard.

Colour/ Finish:

Internal:

[Not required].

[Polyester powder coating].

- Any RAL colour, insert requirements.

External:

[Not required].

[Polyester powder coating].

- Any RAL colour, insert requirements.

Insulation Options:

[25 mm polyisocyanurate insulation (0.78 W/m²K)].

[25 mm Non-Combustible mineral wool insulation (1.13 W/m²K)].

Operation:

[Gas springs].

Accessories:

[None].

[Extended skirt liner]. - Used in conjunction with retractable ZIP ladder.

[Retractable ZIP ladder].